

HITACHI

Inspire the Next

Quick Installation Guide Hitachi Ultrastar 15K147



Models:

HUS151414VL3600

HUS151473VL3600

HUS151436VL3600

HUS151414VL3800

HUS151473VL3800

HUS151436VL3800

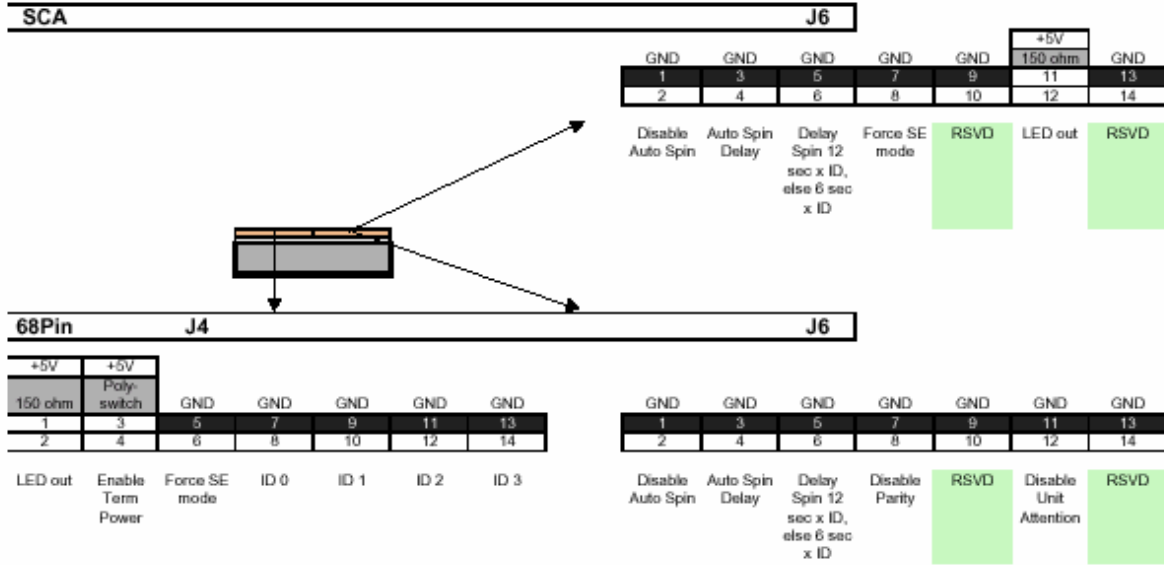
HANDLING PRECAUTIONS

- Do not open the electrostatic discharge (ESD) bag containing the drive until required.
- Do not apply pressure on the drive during handling and installation.
- To prevent damage from impact or vibration always set the drive down gently.
- Handle the drive carefully by the edges. Do not touch the exposed printed circuit board or any electronic components.
- Do not cover the breather hole! Covering the breather hole may result in loss of data.
- Save the packaging materials including the ESD bag in the event that the drive must be returned.

INSTALLING THE DRIVE

1. Record the serial number and part number of your hard drive for future reference.
2. Turn off the computer and remove the computer system cover.
3. Before handling the hard disk drive, discharge any static electricity from yourself and your clothing. With one hand touch an unpainted metal surface on the computer chassis, and then touch the ESD bag with the other hand for a minimum of two seconds.
4. Remove the hard drive from the ESD bag.
5. Unplug the computer.
6. For the 68-pin model assign a SCSI ID address if necessary. The default ID is 6.

ADDRESS JUMPER AND DRIVE OPTION BLOCKS

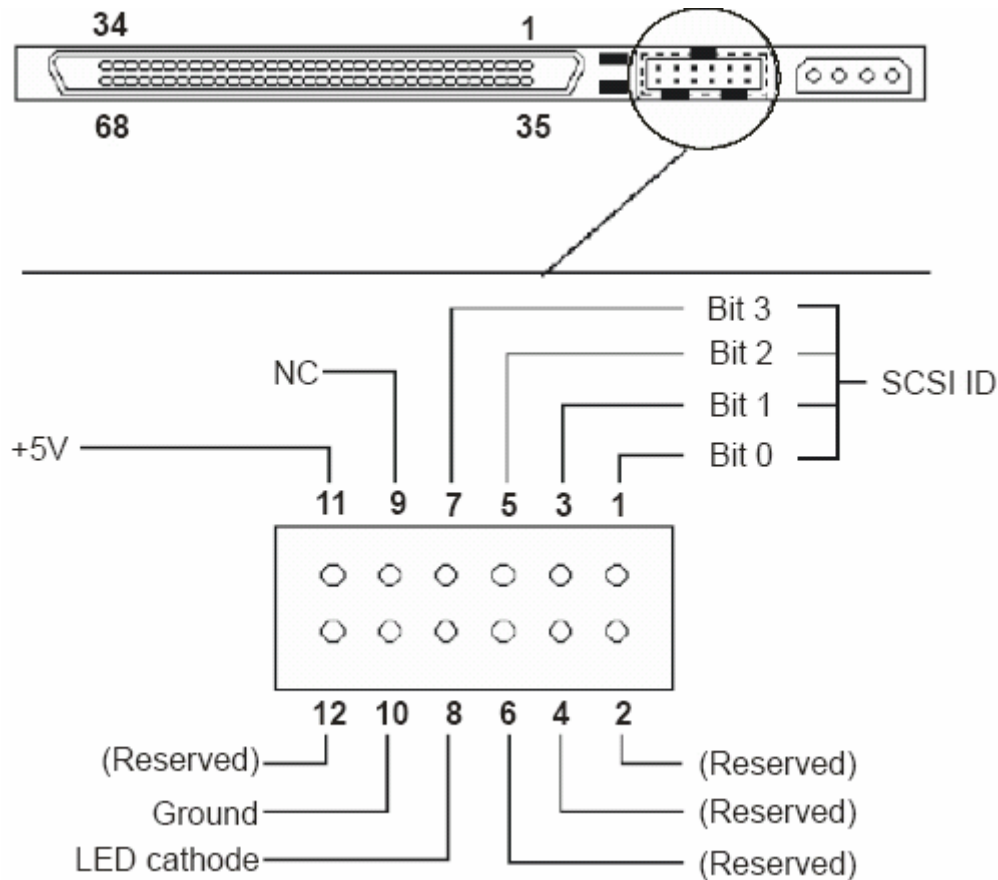


THE 68PIN J4 OPTIONS (from left to right)

Pin	Signal Name	Pin	Signal Name
1	+5V 150 ohm	2	LEDout
3	+5V Pdy-switch	4	Enable Term Power
5	GND	6	Force SE mode
7	GND	8	ID0
9	GND	10	ID1
11	GND	12	ID2
13	GND	14	ID3

JUMPERS ARE NOT REQUIRED ON THE 80 PIN CONNECTOR.

Auxiliary Connector J6



7. **Mounting Orientation**
The drive may be installed horizontally or Vertically. Provide adequate airflow to cool drive. Use 4 Mounting screws(6x32UNC). Maximum screw penetration 3.8mm(0.15 in) into drive.
8. For a 68-pin drive attach the power cable and ensure that one end of the SCSI cable is connected to the host adapter. The cable should be terminated. ***(The 80-pin drive is plugged into the server backplanes and requires no cables)***
9. Ensure that all cables are connected and properly routed.
10. Turn on your computer.
 - If the system boots be sure the drive is recognized. If it is turn off the computer and replace the cover. Proceed to install your operating system.
 - If your system does not boot up, turn off your computer and check all connections and settings. Turn on and boot the system.
 - If the system fails to boot, turn off your system. Contact the Hitachi GST Technical Support Center for assistance – www.hitachigst.com

Special Notes:

- For this drive to operate in LVD mode all SCSI devices including the SCSI bus host adapter must be LVD devices.
- The drive is designed to detect if the SCSI bus is LVD or SE. The drive will function based upon the mode that it detects. To force SE ended mode on the 68-pin drive, place a jumper across pins 5 & 6 connector J4.
- For 68 pin drives termination power must be provided. In most cases the host adapter provides it. For the drive to provide Term power install a jumper on pins 3 & 4 on option jumper J4. (*The 80-pin drive does not provide termination power.*)

© Copyright Hitachi Global Storage Technologies 2004

Hitachi Global Storage Technologies
5600 Cottle Road
San Jose, CA 95193

Produced in the United States 11/04

All rights reserved

UltraStar™ is a trademark of Hitachi Global Storage Technologies.

Other product names are trademarks or registered trademarks of other respective companies.

References in this publication to Hitachi Global Storage Technologies products, programs or services do not imply that Hitachi Global Storage Technologies intends to make these available in all countries in which Hitachi Global Storage Technologies operates.

Product information is provided for information purposes only and does not constitute a warranty.

Information is true as of the date of publication and is subject to change. Actual results may vary.

This publication is for general guidance only. Photographs may show design models.

November 8, 2004