



Quick installation guide

Travelstar 4GN

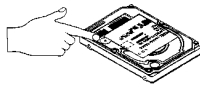
AT/IDE

Models: DKLA-22160, DKLA-23240,
DKLA-24320

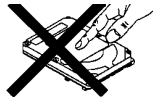


Handling precautions

1. *Do not cover the breather hole!* Covering the breather hole may result in loss of data.



2. *Do not press on the drive!* Do not apply any force to the drive during handling or installation.



3. Always handle the drive with care to prevent damage from shock, vibration, or electrostatic discharge (ESD).
4. Do not open the static-protective bag containing the drive until required. Static electricity can damage the drive.
5. Turn off and unplug your computer. Remove the cover.
6. When installing the drive, touch a grounded, unpainted metal surface with the static-protective package containing the drive for at least two seconds. (This drains static electricity from the package and from your body.)
7. Handle the drive carefully by the edges. Do not touch any exposed printed circuit board.
8. Save the drive packaging material including the ESD bag in the event that the drive must be returned. Place the drive in an anti-static bag before placing it in the shipping container. The warranty will be void if the drive is not returned in IBM approved packaging.

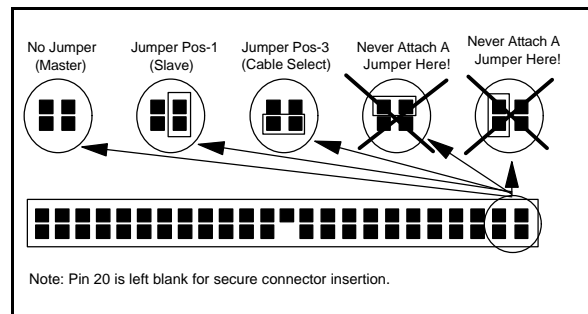
Quick installation procedure

Note: It is advisable to backup all data before proceeding with the installation.

If your system BIOS cannot handle large capacity drives (over 540 MB), you may need to use a disk overlay program such as Ontrack's Disk Manager. The following procedure uses the Ontrack Disk Manager software. Information on obtaining a copy of Ontrack's Disk Manager can be found on the Web at www.ibm.com/harddrive.

Setting the jumpers

1. In a one-drive system, configure your new drive as Master (Device 0) with no jumpers installed.
2. In a two-drive system, one drive must be designated as the Master, the other as the Slave (Device 1)
3. When installing the new drive as a Slave, check the Master drive to determine if a jumper change is required to indicate that a Slave drive is present.
4. Consult your manual to see if your computer supports Cable Select before choosing this option.



Attaching the drive

1. Turn off the computer, unplug the power cord, and open the cover.
2. Match pin 1 of the 44 pin cable to pin 1 of the drive interface connector. Pin 1 is usually denoted by a stripe along the edge of the cable.
3. Mount the drive securely.

Configuring your computer

1. If your computer has a plug-in IDE card with a drive installation procedure, follow the manufacturer's instructions.
2. Plug in the power cord and power on your computer. Your computer may detect a configuration change and prompt you to proceed to the Setup screen.
3. If your computer does not prompt you to reconfigure, enter your computer's Setup, typically by key selection or keyboard combinations during power-on or during a reboot. Refer to your computer's documentation for the proper key sequence. If the computer fails to boot up, power off, remove the new hard drive and return your system to its original configuration. Reboot and enter your computer's Setup. Follow the directions in step 4, then reattach the new hard drive.
4. Select "Auto Detect" if your computer Setup supports this feature. If your computer does not Auto Detect the drive, select the appropriate UDT (User Definable Type) for the model being installed. Then run Disk Manager.

IBM Model Number	Cylinders	Heads	Sector /Track	Capacity
DKLA-22160	4,200	16	63	2160MB
DKLA-23240	6,304	16	63	3250MB
DKLA-24320	8,944	16	63	4320MB

Running Disk Manager

1. Boot to operating system from the hard drive or the diskette.
2. Insert the Ontrack diskette.
3. Type DM and press [ENTER] to run Disk Manager.
4. Under "Select an Installation Option", select (E)asy Disk Installation.
5. Select a drive for installation; Disk Manager will partition and format the drive.
6. A status dialog will indicate a successful installation.

If, after complete installation, your system will not boot up, recheck all settings. If the system still fails to boot up, remove the new drive from your system to return to your original configuration and contact technical support.



© International Business Machines Corporation 1999

www.ibm.com/harddrive

IBM Hard Disk Drive Technical Support Center

3605 Highway 52 North
Rochester, MN 55901
Telephone: 888.IBM.5214 or 507.286.5825
Fax: 507.253.DRIVE
E-mail: drive@us.ibm.com

Singapore Technical Support Center

Telephone: (65)6418.9595 or 1800.418.9595
E-mail: drive@sg.ibm.com

IBM Systems Storage Division

5600 Cottle Road
San Jose, CA 95193
www.ibm.com/storage

Asia-Pacific Headquarters: 65.320.1234

European Headquarters: 44.01.705.561.871

Japan Sales Branch Office: 81.46645.1039

Printed in the United States of America

01-99

All Rights Reserved

IBM is the registered trademark of International Business Machines Corporation.

Other company, product, and service names may be trademarks or service marks of others.

Produced by the IBM Hard Disk Drive Technical Support Center.

OEM Hard Disk Drive Specifications for DKLA-22160/23240/24320, revision 1.1

Product Description data represents IBM's design objectives and is provided for comparative purposes; actual results may vary based on a variety of factors. This product data does not constitute a warranty. Questions regarding IBM's warranty terms or methodology used to derive this data should be referred to the IBM Hard Disk Drive Technical Support Center. Data subject to change without notice.

Date: 14 January 1999