

Quick Installation Guide

DK32DJ-MC/MW

Specifications

	DK32DJ-72	DK32DJ-36	DK32DJ-18
Formatted Capacity*(Gbytes)	73.9	36.9	18.4
Bytes per Sector	512	512	512
# Cylinders / # Heads / # Disks	126648/10/5	26648/5/3	26648/3/2
Maximum LBA*(Hex)	89B88FF	44DC47F	226E23F
Seektime:Average (Read/Write)(ms)	4.9/5.7	4.9/5.7	4.9/5.7
Spindle Speed rpm	10025	10025	10025
Interface Type	SCSI Ultra 160	SCSI Ultra 160	SCSI Ultra 160
Transfer rate (MB/s)	160 max	160 max	160 max
Operating Temperature (C/F)	5-55°C/41-131°F	5-55°C/41-131°F	5-55°C/41-131°F
Power: 12Vpeak(Typ)/5V peak (Typ) (A)	2.15/1.7	2.15/1.7	2.15/1.7
Start Time(s)	25	25	25

Handling Precautions

- Do not press on the drive. Hold the drive by the sides only, do not apply any force to the drive during handling or installation
- Always handle the drive with care to prevent damage from shock, vibration or electrostatic discharge (ESD). Do not touch the Printed Circuit Board (PCB).
- Electrostatic Discharge. Static electricity can damage the drive. Before handling the drive, touch an unpainted metal surface for a few seconds to drain any static electricity from your body.
- Keep the original packaging and static-protective bag in case the drive has to be returned.

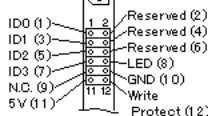
Mounting Orientation

- Installation horizontal or vertical (6 directions)
- Provide adequate air flow to cool drive
- Use 4 mounting screws (6x32 UNC). Maximum screw penetration 3.8mm (0.15 in) into drive

Connector Layout

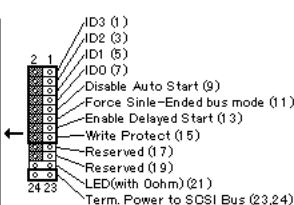
Wide LVD 68pin-16bits (MW)

Auxiliary Connector (C4)



Note:
Extension cable should be used for setting with C4 connector. Using C4, C3 jumpers must be removed.

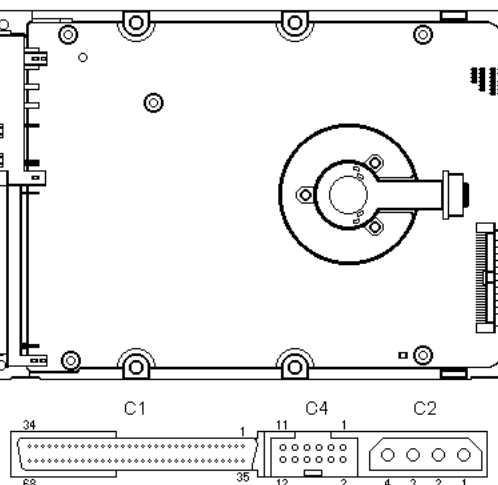
Option Jumper Connector (C3)



GND (2,4,6,8,10,12,14,16,18,20)
5V(with 150ohm)(22)

C2:Power

- +12V DC
- GND (12V return)
- GND (5V return)
- +5V DC



Cable Specifications

- Use interface cables that meet the ANSI SCSI guideline.
- Cable length:

Interface cable (MW, Single-ended mode)

SCSI Interface	Cable Type	Maximum cable length
Fast-5	Flat Ribbon or Twisted Pair	6m (16 units max.)
Fast-10	Flat Ribbon or Twisted Pair	3m (16 units max.)
Ultra(Fast20)	Flat Ribbon or Twisted Pair	3m (4 units max.) 1.5m (8 units max.)

Interface cable (MW, LVD mode)

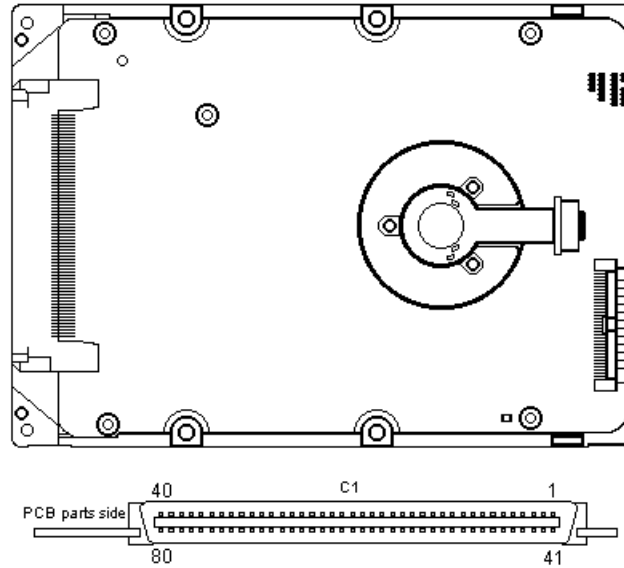
SCSI Interface	Cable Type	Maximum cable length
Ultra2(Fast)-40	Flat Ribbon or Twisted Pair	12m (16 units max.)
Ultra160(Fast-80)	Flat Ribbon or Twisted Pair	

Quick Installation Guide

DK32DJ-MC/MW

Connector Layout (continuation)

SCA-2 LVD 80pin-16bits



Option Jumper Connector (C3)

- ID3 (1)
- ID2 (3)
- ID1 (5)
- ID0 (7)
- Disable Auto Start (9)
- Force Single-Ended bus mode (11)
- Enable Delayed Start (13)
- Write Protect (15)
- Reserved (17)
- Reserved (19)
- LED(with 0ohm) (21)
- Term. Power to SCSI Bus (23,24)

GND (2,4,6,8,10,12,14,16,18,20)
5V(with 150ohm)(22)

Power

Power is supplied to the drive through the SCA connector. Verify proper connections and cabling or damage will occur.

Option Jumper Connector C3

Pin	MW			MC		
	Function	Removed	Installed	Function	Removed	Installed
1-2	ID3	*		ID3	*	
3-4	ID2	*		ID2	*	
5-6	ID1	*		ID1	*	
7-8	ID0	*		ID0	*	
9-10	Disable Auto Start	At power on per C3 pins 13-14*	Only by SCSI Command	Disable Auto Start	Refer note3 below*	Only by SCSI Command
11-12	Force SE bus Mode	Single-ended or LVD mode*	Only Single-ended mode	Force SE bus Mode	Single-ended or LVD mode*	Only Single-ended mode
13-14	Enable delay start	At power on*	In 10 sec x ID intervals on power on	Enable delay start	At power on*	In 10 sec x ID intervals on power on
15-16	Write Protect	Write Enable*	Write Protected	Write Protect	Write Enable*	Write Protected
17-18	Reserved			Reserved		
19-20	Reserved			Reserved		
21-22	LED(with 0 Ohm)			LED(with 0 Ohm)		
23-24	Term Power	Tempwr not to SCSI Bus*	Tempwr to SCSI bus	Term Power	Tempwr not to SCSI Bus*	Tempwr to SCSI bus

* Indicates Default Settings. Do not Change the reserved jumper pins! Changing will void warranty!

Spare jumpers C3: 2-4, 6-8, 12-14-16, 18-20 for MW model, C3: 18-20 for MC model.. These spare jumpers can be used for another set